



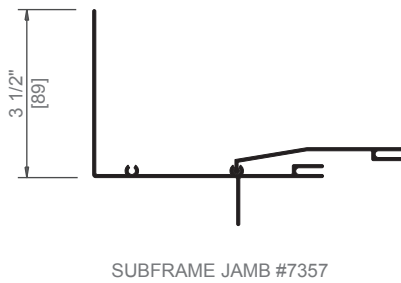
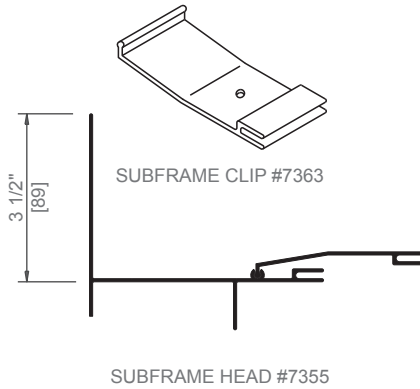
ATTACHMENT OPTIONS

Receptor and Subframe Systems

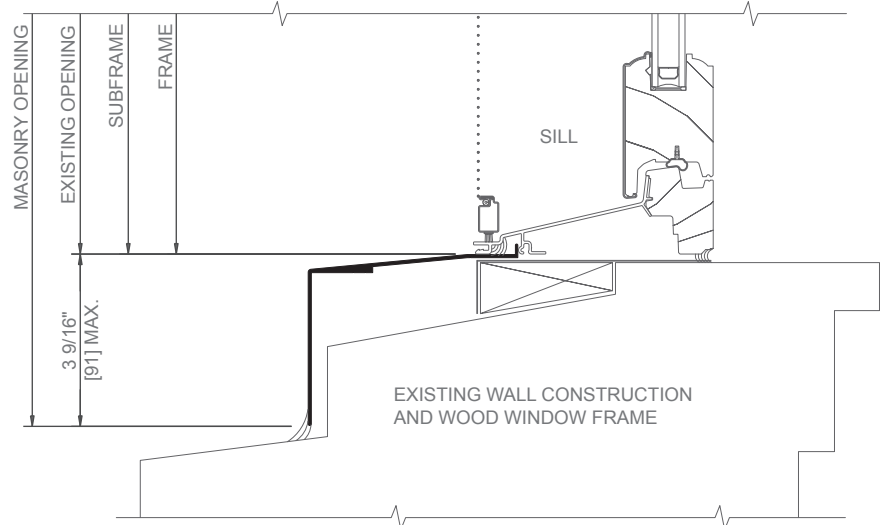
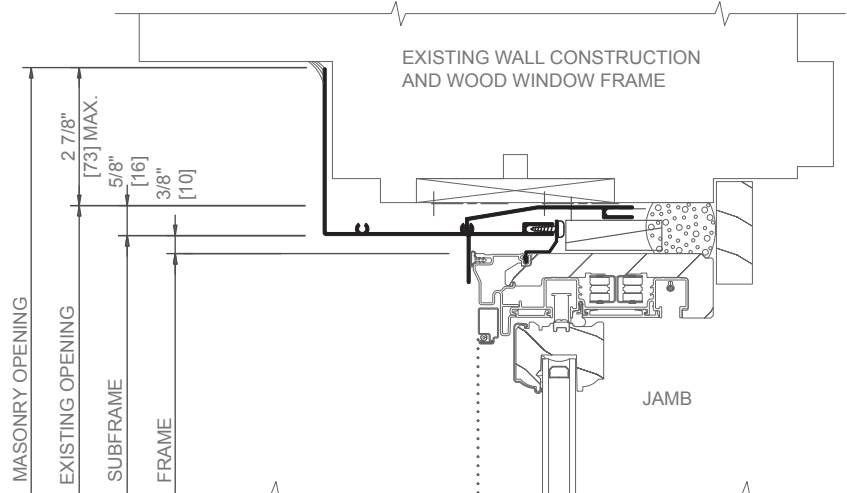
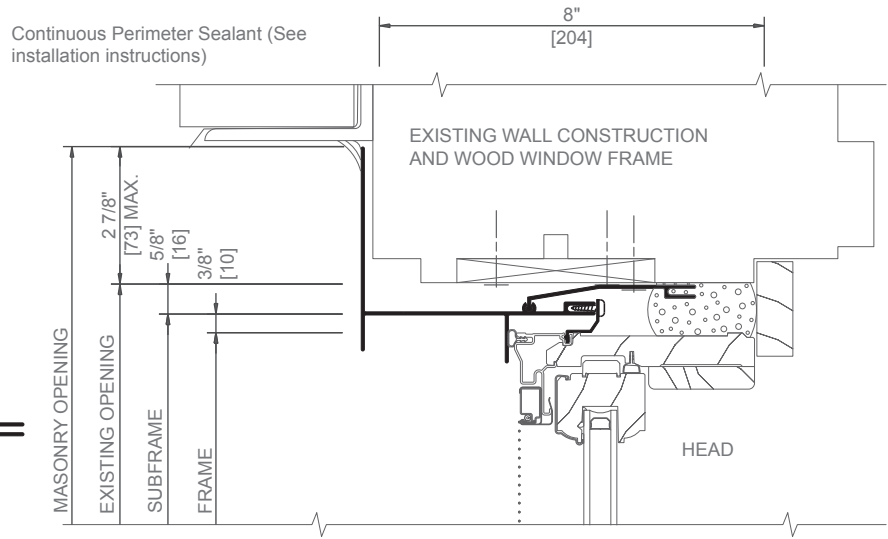
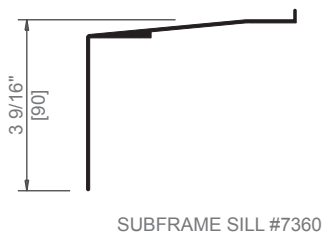
Standard Subframe Application

INSTALLATION ACCESSORIES

*NOTE: Subframe leg may be field-cut as required.



PACKAGE #0B050000: WINDOW CLIP #5087 AND #8x5/8" PAN HEAD PHILLIPS SCREW



Scale 3" = 1' 0"